

PANEL MOUNTED SOAP DISPENSER WP194



Ø 38 x 220 mm
stainless steel

- Panel mounted soap dispenser in robust, germ-reducing and easy-care stainless steel (AISI 316L).
- Solid stainless steel body; visible surfaces satin finished. Further available surfaces: see below.
- Projection: 80 mm
- One-hand operated and non-drip soap pump with pressure valve in stainless steel.
- Designed for standard liquid soaps.
- Refillable through decentralized soap container connected with suction tube.
- Wear parts can be replaced as modules.
- Installation dimensions: Ø 21-25 mm, panel thickness max. 40 mm.
- Mounting: With one counternut.
- Delivery includes fixing material and 1.5 m suction tube.
- Weight, including single package: 0.9 kg



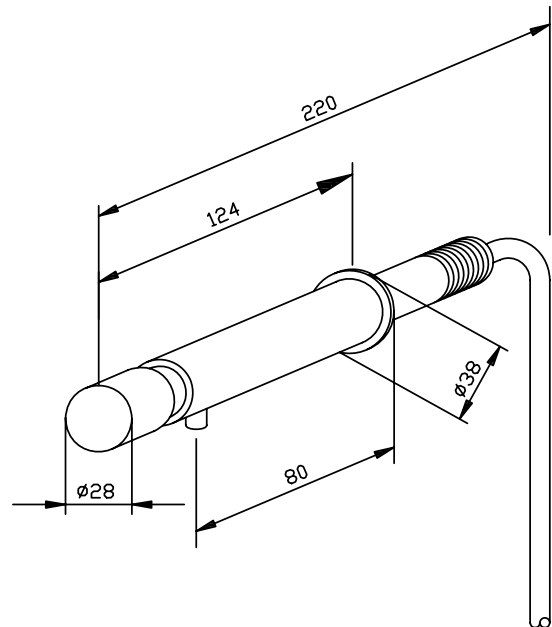
Suggested text for specifications:

Panel mounted soap dispenser in stainless steel (AISI 316L) for Wandpaneelle. Solid stainless steel body; visible surfaces satin finished. One-hand operated and non-drip soap pump with pressure valve in stainless steel. Designed for standard liquid soaps. Refillable through decentralized soap container. Delivery includes fixing material and 1.5 m suction tube.

Dimensions: Ø 38 x 220 mm

Projection: 80 mm

Article No. WP194



Available surfaces

ID No.

satin finished (standard)

727 305

highly polished

731 305

Ernst Wagner GmbH & Co. KG

Ernst-Abbe-Straße 21 · D-72770 Reutlingen · Tel.: +49712151539-0 · Fax: -20
info@wagner-ewar.de · www.wagner-ewar.de

WAGNER
EWAR